

## PART NUMBER

**EBMPRB4P**

## MODEL DESCRIPTION

EBM BOX, PLASTIC RECESS LID BEVEL SURROUND, 4 x AUTO SWITCHED POWER, 1 x PROVISION TO MOUNT STANDARD PLATE

- EnduraMini EBM Series Floor Box with Plastic Recess Lid
- Box size 198 x 197 x 90mm Deep
- Fitted with 4 x Auto-Switching 10A power outlets and Provision to Mount 1 x Standard Mounting Plates

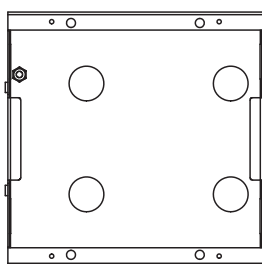
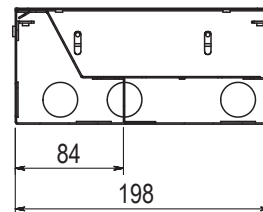
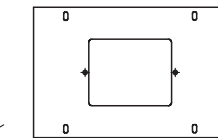
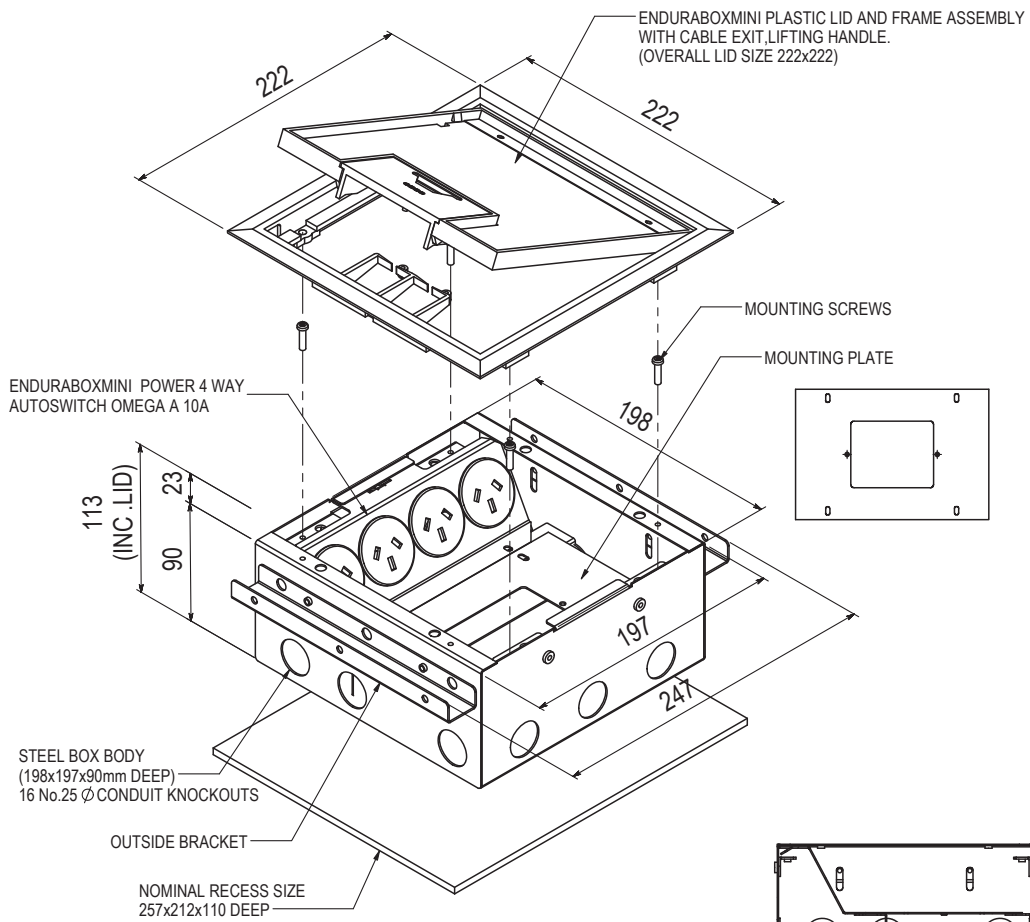


# ASSEMBLY DIAGRAM

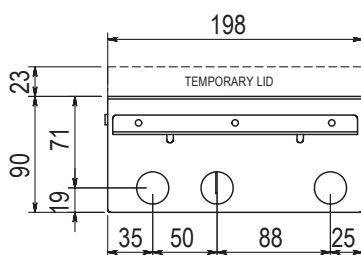
## EBMPRB4P

### MODEL DESCRIPTION

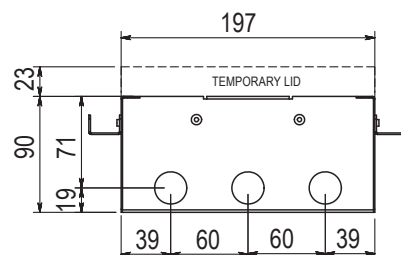
EBM BOX, PLASTIC RECESS LID BEVEL SURROUND, 4 x AUTO SWITCHED POWER, 1 x PROVISION TO MOUNT STANDARD PLATE



KNOCKOUT LOCATIONS BOX BASE



CONDUIT KNOCKOUT LOCATIONS



CONDUIT KNOCKOUT LOCATIONS